

Parts List

Stool Pivot:

Qty: 1
1/4"-20 x 3-1/2" Socket Head Cap Screw
Qty: 1
1/4"-20 x 3" Flat Head Socket Cap Screw
Qty: 2
1/4"-20 Locknut
Qty: 2
1/4" Curved Washer
Qty: 2
1/8" Spacer
Qty: 1
1/4" Black Washer
Qty: 2
1" Tube Spacer

Axle Assembly:

Qty: 1
Axle
Qty: 4
1/2" Flat Washer
Qty: 2
Cotter Pin
Qty: 2
Wheel

Rear Shelf:

Qty: 4
8-32 x 1-3/8" Flat Head Socket Cap Screw
Qty: 4
8-32 Thin Locknut
Qty: 1
Rear Shelf

Upper Mount:

Qty: 4
1/4"-20 x 1-1/4" Socket Head Cap Screw
Qty: 2
Shoulder Bolt, 5/16" Diameter, 2-3/4" Long,
1/4"-20 Thread
Qty: 2
Upper Bracket-1
Qty: 2
Upper Bracket-2
Qty: 2
Catch

Scope Mount:

Qty: 1
10-32 Set Screw
Qty: 1
Scope Mount
Qty: 1
Scope Pin

Stock Support:

Qty: 4
1/4"-20 x 5/8" Hex Drive Flat head Screw
Qty: 2
Stock Support Bar
Qty: 2
Stock Support Spacer

Handle Clamps:

Qty: 2
Adjustable Handle
Qty: 4
1/4"-20 x 1-3/4" Socket Head
Cap Screw
Qty: 4
1/4"-20 Locknut
Qty: 2
1/4" Curved Washer
Qty: 1
Left Handle Clamp
Qty: 1
Right Handle Clamp

Tubing:

Qty: 1
Inside Leg
Qty: 1
Outside Leg
Qty: 1
Handle with shelf and padding

Misc:

Qty: 2
Rubber Feet
Qty: 4
Push In Tube Plug

Note: Some items may be pre-assembled.

Tools Required:

3/16" Allen Key
5/32" Allen Key
3/32" Allen Key
7/16" Socket and Wrench
11/32" Socket

Stool Assembly (See pages 12 through 14 for updated assembly)

Route the inside and outside leg through your stool bag so that the legs are oriented as shown in Figure 1. the outside leg should be routed through the front of your bag.

Bolt the legs together using the stool pivot hardware placing the spacer between the inside and outside leg, refer to Figure 2.

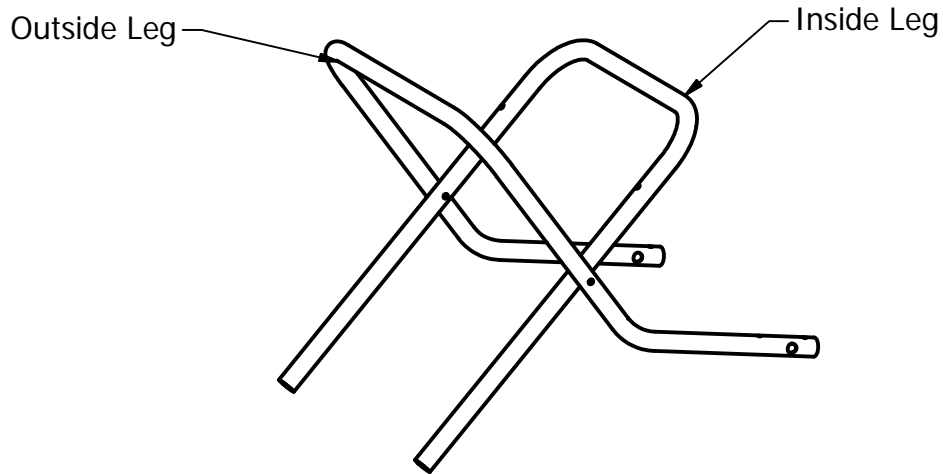


Figure 1: Stool Assembly

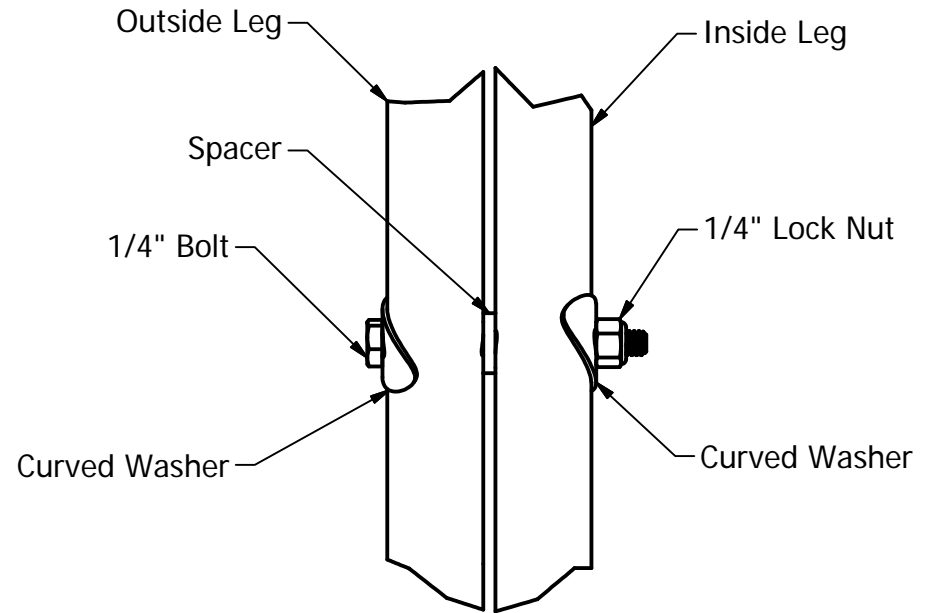


Figure 2: Stool Pivot hardware

Axle and Wheel Assembly

Insert the axle through both sides of the outside leg. This can be a tight fit, keeping the axle in line with the holes as well as rotating will help with installation.

Using the axle hardware, install a flat washer, then the wheel followed by another flat washer and cotter pin. The tubing may need to be pressed together slightly in order to install the second cotter pin.

Note: It may be helpful to leave the second cotter pin out until after installing the rear shelf.

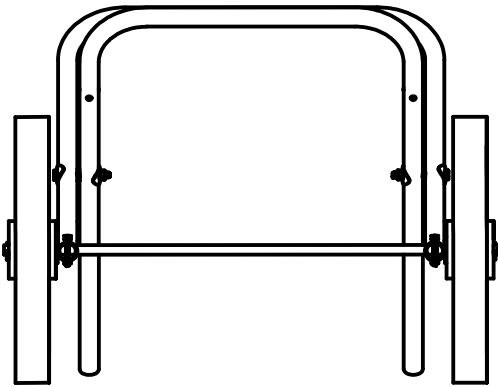


Figure 3: Axle and Wheel assembly

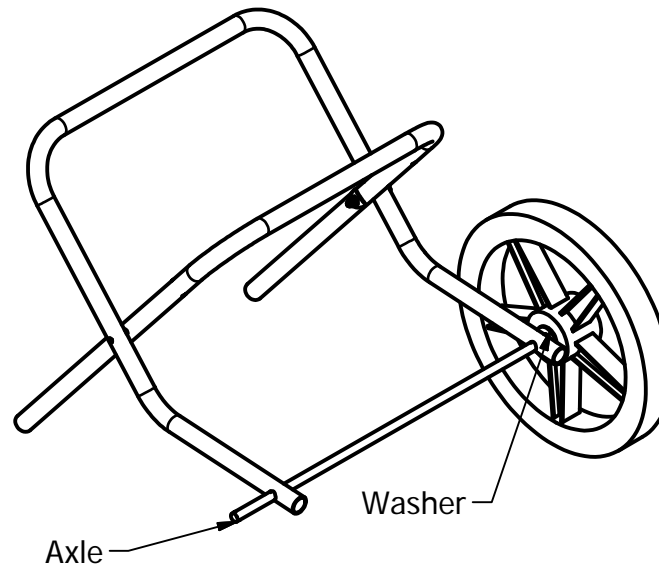


Figure 4: Axle hardware, inside view

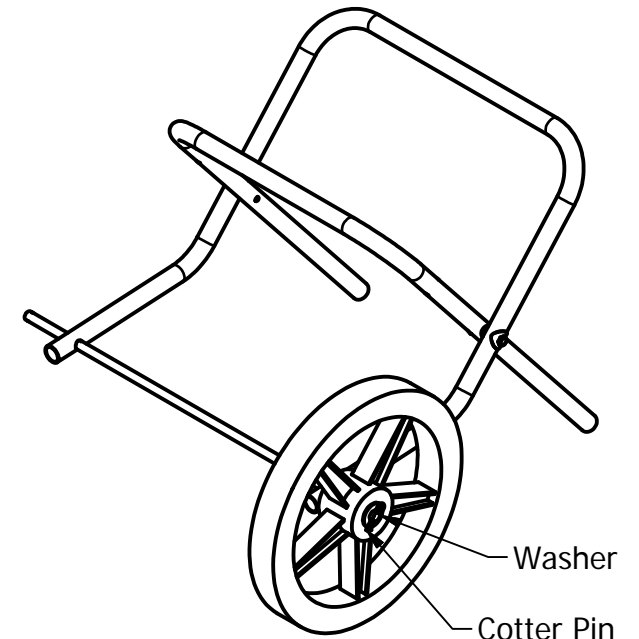


Figure 5: Axle hardware, outside view

Rear Shelf, Tube Plugs and Feet

Lay the rear shelf on the tubing so the four holes line up. Some slight spreading of the tubing may be required. Using the tray hardware, insert all four bolts before tightening the nuts.

Insert the two snap in plugs in the outside leg. Some force is required and it may be preferred to install the plugs before the tray.

Install the two rubber feet on the inside leg.

Note: If also installing the rifle and/or scope mounts, install the attachment brackets before installing the rubber feet.

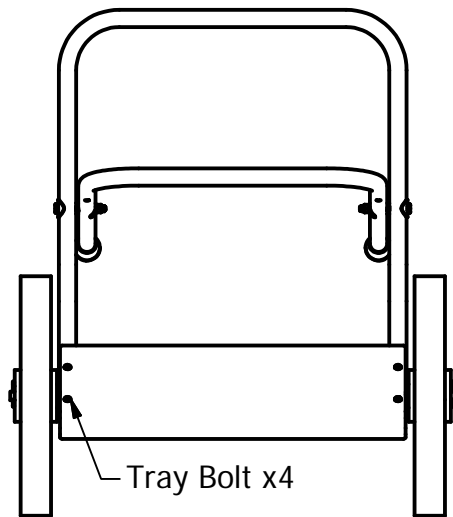


Figure 6: Top View of Stool

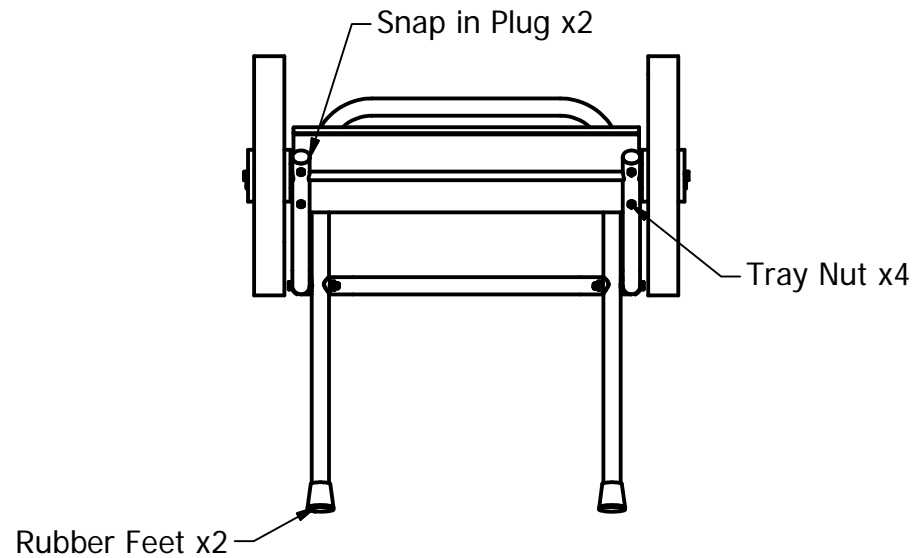
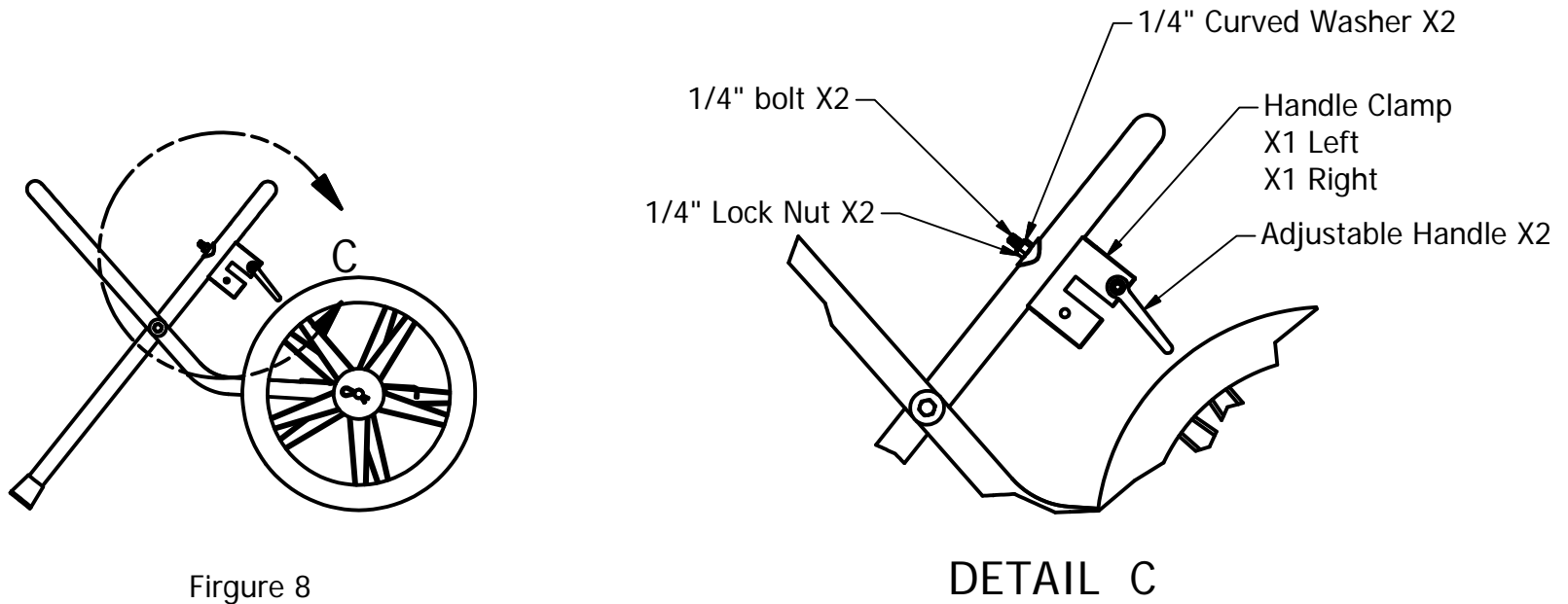


Figure 7: Bottom View of Stool

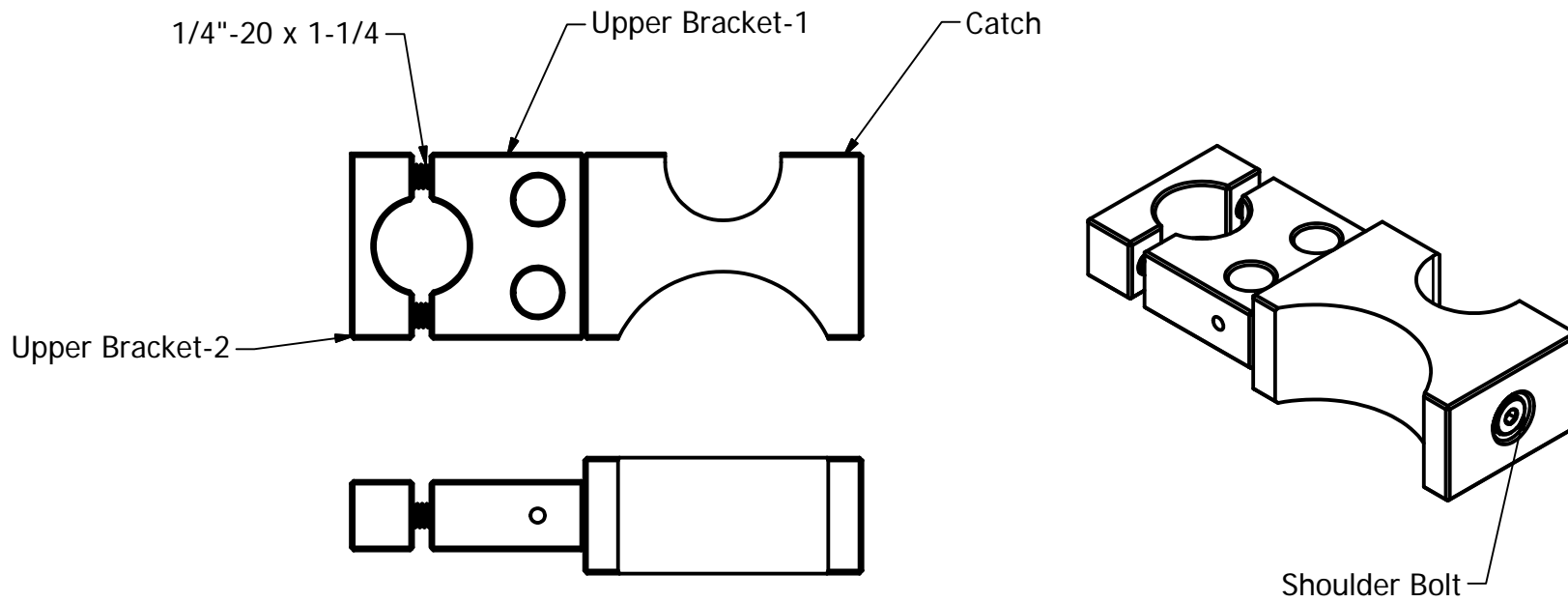
Handle Clamps

Install the handle clamps as shown in Figure 8 using the handle clamp hardware. After installing the clamps, test fit the handle. It can require some technique to insert and remove the handle smoothly. It can help to hold the handle near the bottom instead of the top. If the handle jams while removing, re-seat it and try again being sure to pull evenly. Some dry lubricate can be helpful as well. The stop bolt can be removed if a shorter handle height is desired.



Upper Mount

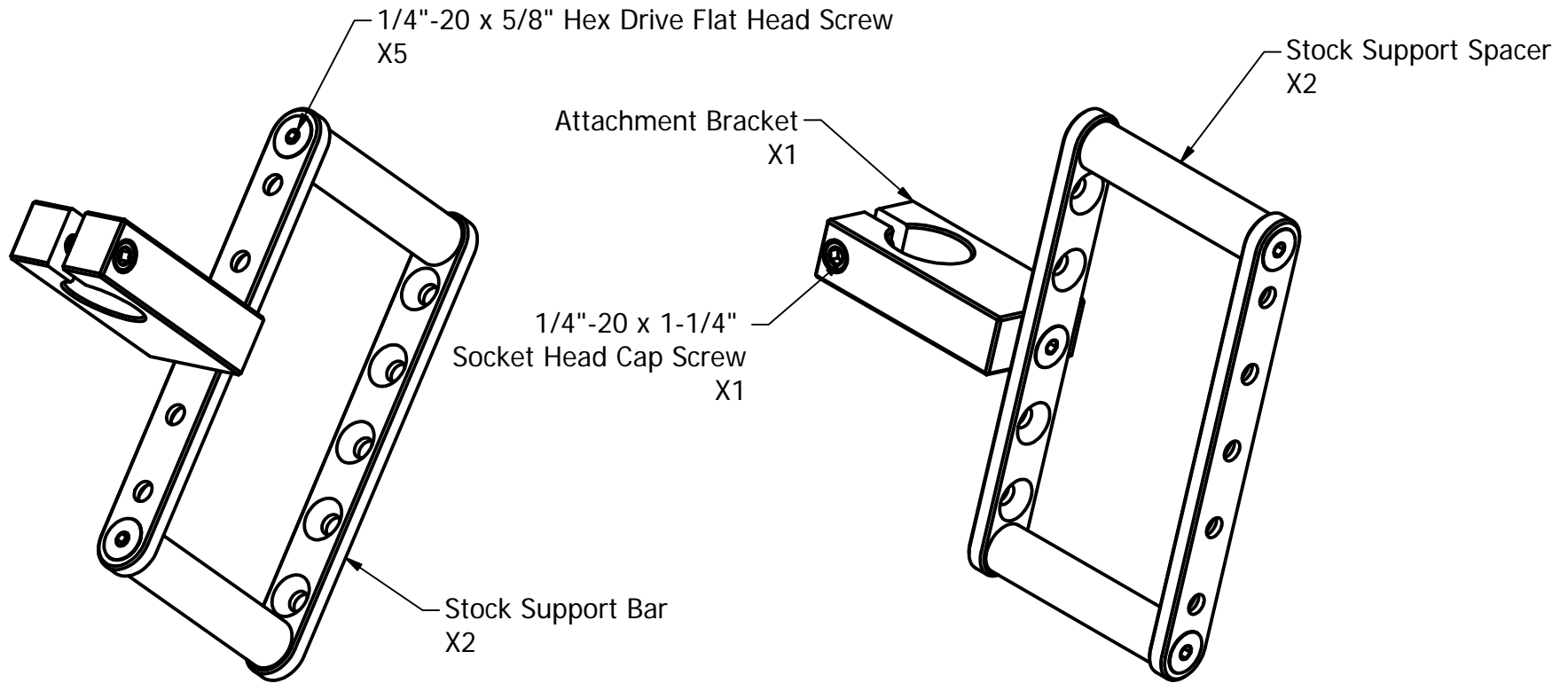
Assemble the Upper Mount as shown in Figure 9 using the upper mount hardware. Install on the cart above the top shelf, as low as possible without interfering with the shelf. After test fitting with the rifles and scope stand you intend to carry, loctite the bolts. Be sure to check the bolts regularly for the first few uses.



Stock Support (See pages 9 and 10 for updated assembly)

Remove the rubber foot from the inside leg and install the attachment bracket on the tubing. The exact location will depend on your particular rifle and stock length. However, avoid mounting the bracket too close to the pivot point if you intend to fold the cart. The alternate holes in the stock support bar can be used to raise the support without interfering with the folding of the cart.

Using the stock support hardware, assemble using the figures below as reference. Once the final position of the support is determined, lock tite all bolts.



Scope Mount (See page 11 for updated assembly)

Remove the rubber foot from the inside leg and install the attachment bracket on the tubing. The best location for the bracket is typically as high on the leg as possible without interfering with the folding of the cart.

Insert the shoulder bolt into the scope mount and install on the attachment bracket with the scope pin hole roughly pointing towards the upper bracket. Tighten the bolt just enough to hold in place for test fitting. Insert the scope pin and finger tighten the set screw. Test fit your scope stand making sure that the stand is supported by the upper catch and is not being held off by the scope pin as this can cause the shoulder bolt to work loose. Once everything is fitted, remove the shoulder bolt and apply lock tape. The bolt should now be installed securely.

One method we have found to work well is to tighten the shoulder bolt with the scope pin inline with the inside leg. Then install the scope stand, using the stand to rotate the pin forward just enough to easily clear the upper catch.

